

# Technical Information

PrimeSTACK™

# 6PS0200R06KE3-3G-Cx

power electronics in motion

**Zieldaten**  
**target data**

## Key data

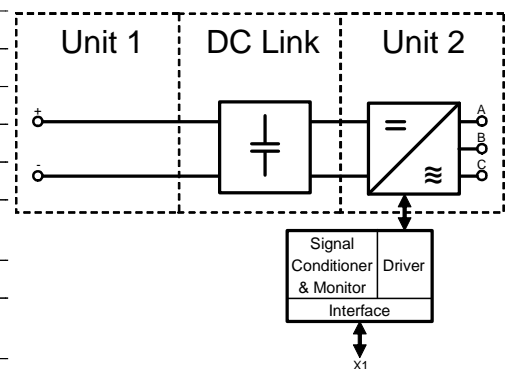
**3x 92A AC at 208V AC, forced air (fan not implemented)**

## General information for:

**Stacks for various inverter application. Semiconductors, heat sinks, drivers and sensors included. These are only technical data!**

**Please read carefully the complete documentation and maintain the proper design environment! Especially note the EMC environment and the controller's functionality.**

Topology	B6I	
Load type	resistive, inductive	
Cooling	forced air (fan not implemented)	
Application target	solar	
Monitors	current, temperature	
Semicond. (Unit 1)	none	
DC Link	9.9mF	
Semicond. (Unit 2)	IGBT	3x FF200R06KE3
Interface IGBT	electrical CMOS	
Standards	EN50178, UL94	
Product ID (eupec)	t.b.d.	
Mechanical drawing number	38000044_MB	
Electrical drawing number	6PS-C3-V-Rev03	



## Notes

### DC Link Voltage:

**Without switching IGBT up to maximally 600V.**

### Overvoltage and Overcurrent shutdown reaction time:

**This parameter refers to the customers controller.**

**Mechanical drawing is only one principle representation.**

prepared by: Hoelbe Oliver	date of publication: 2006-4-3
approved by: Jürgen Schiele	revision: 1.0

# Technical Information

PrimeSTACK™

# 6PS0200R06KE3-3G-Cx

power electronics in motion



## Zieldaten target data

### Unit 2 AC

			min	typ	max	units
Continuous current	$V_{Unit2} = 208V_{RMS}$ , $V_{DC} = 480V$ , $T_{inlet} = 40^{\circ}C$ , $T_J \leq 125^{\circ}C$ , $f_{Unit2} = 50Hz$ , $f_{sw2} = 16000Hz$ , $\cos(\phi) = 1,00$	$I_{Unit2}$			92	$A_{RMS}$
Continuous current overload cap.	$T_{inlet} = 40^{\circ}C$ , for overload capability 150% for 60s			92		$A_{RMS}$
Short time current	$T_{inlet} = 40^{\circ}C$ , 10s, every 180s, initial load = $92A_{RMS}$	$I_{Unit1}$			115	$A_{RMS}$
DC current	no rotating field, $T_{inlet} = 40^{\circ}C$	$I_{Unit2 DC}$			45,0	$A_{av}$
Overcurrent shutdown	within 15 $\mu$ s			320		$A_{peak}$
Switching frequency		$f_{sw2}$			16000	Hz
Power losses	$V_{Unit2} = 208V$ , $V_{DC} = 480V$ , $T_{inlet} = 40^{\circ}C$ , $T_J \leq 125^{\circ}C$ , $f_{Unit2} = 50Hz$ , $f_{sw2} = 16000Hz$ , $\cos(\phi) = 1,00$ , $I_{Unit2} = 92A_{RMS}$	$P_{loss2}$		835		W
Power factor		$\cos(\phi)_{Unit2}$	-0,90		0,90	

### General data

			min	typ	max	units
Power losses (PCB)		$P_{loss aux}$			t.b.d.	W
EMC test	according to IEC61800-3 at named interfaces	power	$V_{Burst}$	2		kV
		control	$V_{Burst}$	1		kV
		aux (24V)	$V_{Surge}$	1		kV
Insulation management is designed for		$V_{Line}$		230		$V_{RMS}$
Insulation test voltage	according to EN50178, $f = 50Hz$ , $t = 60s$	$V_{isol}$		1,8		$kV_{RMS}$

### Important component data

			min	typ	max	units
DC Link capacitor		$C_{DC}$		9,90		mF
		type	Electrolytic Capacitor			

prepared by: Hoelbe Oliver	date of publication: 2006-4-3
approved by: Jürgen Schiele	revision: 1.0

# Technical Information

PrimeSTACK™

# 6PS0200R06KE3-3G-Cx

power electronics in motion



## Zieldaten target data

### Controller interface data

			min	typ	max	units
Auxiliary voltage		$V_{aux}$	13	24	30	$V_{av}$
Auxiliary power requirement	$V_{aux} = 24V_{av}$	$P_{aux}$	40			W
Driver and interface board	see separate technical information		DR210			
Driver core			EiceDRIVER 2ED300C17-S			
Digital input level	resistor to GND 1,8k $\Omega$ , capacitor to GND 1nF, high = on, min 15mA	$V_{in}$	0,0		15,0	V
Digital output level	open collector, low = ok, max 15mA	$V_{out}$	0,0		30,0	V
Analog current outputs Unit 2	load max 1mA; at 92A	$V_{ana out}$	2,86	2,92	2,98	V
Analog temperature output	load max 1mA; at $T_{NTC} = 65^{\circ}C$ correspond to $T_j = 115^{\circ}C$	$V_{T out}$	6,37	6,50	6,63	V
Overvoltage shutdown reaction time	after overvoltage message by PrimeSTACK™ interface				50	$\mu s$
Overcurrent shutdown reaction time	after overvoltage message by PrimeSTACK™ interface				10	$\mu s$

### Heat sink air cooled / Thermal data

			min	typ	max	units
Airflow	$T_{Air} = 20^{\circ}C$ , $P_{air} = 1013hPa$ , dry- and dust free, measured on side of heat sink. according to DIN 41882	$\Delta V / \Delta t_{Air}$	500			m <sup>3</sup> /h
Air pressure drop		$\Delta p_{Air}$		150		Pa
Cooling air inlet temperature	heat sink temperature > -25°C	$T_{inlet}$	-25		40	°C

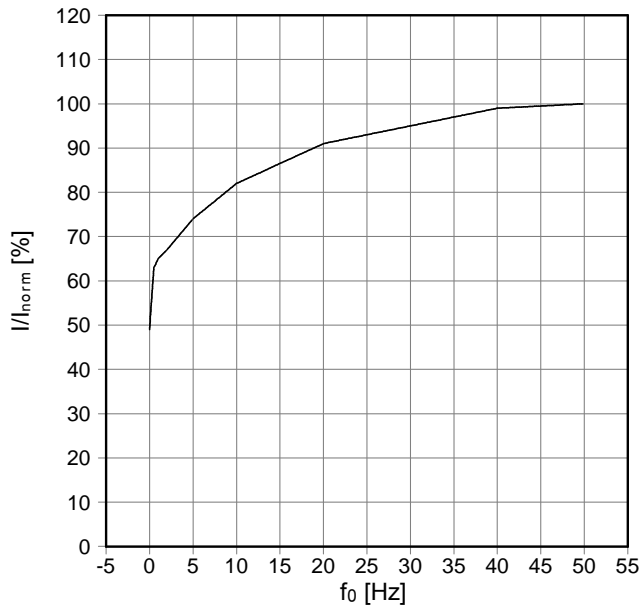
### Environmental conditions

			min	typ	max	units
Storage temperature		$T_{stor}$	-40		85	°C
Ambient temperature (PCB)		$T_{amp}$	-25		55	°C
Operating temperature	see chapter Heat sink air cooled / Thermal data					
Cooling air velocity (PCB)		$V_{Air PCB}$	0,3			m/s
Air pressure	standard atmosphere	$p_{Air}$	900		1100	Pa
Humidity	no condensation	Rel. F	5		85	%
Installation height			0		1000	m
Vibration	according to IEC60721				5	m/s <sup>2</sup>
Shock	according to IEC60721				40	m/s <sup>2</sup>
Protection degree			IP00			
Pollution degree			2			
Torque at DC Terminals		$M_{DC}$	6,0		10,0	Nm
Torque at AC Terminals		$M_{AC}$	16,0		20,0	Nm
Dimensions	width × depth × height		216	280	320	mm
Weight with heat sink	approximation			16,0		kg
Weight without heat sink	approximation			10,0		kg

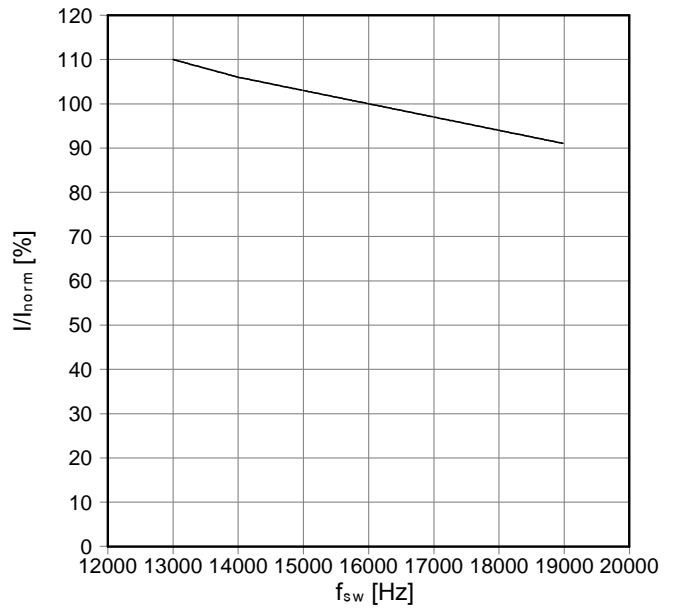
prepared by: Hoelbe Oliver	date of publication: 2006-4-3
approved by: Jürgen Schiele	revision: 1.0

**Zieldaten  
target data**

**fo - derating curve IGBT (motor)**  
cos(phi) = 1.0  
T<sub>cool medium</sub> = 40°C

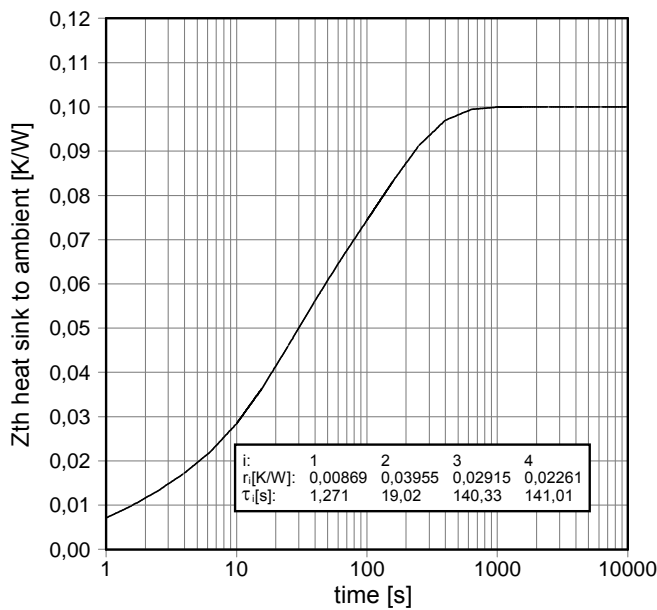


**fsw - derating curve IGBT (motor)**  
cos(phi) = 1.0  
T<sub>cool medium</sub> = 40°C



**Transient thermal impedance per module**

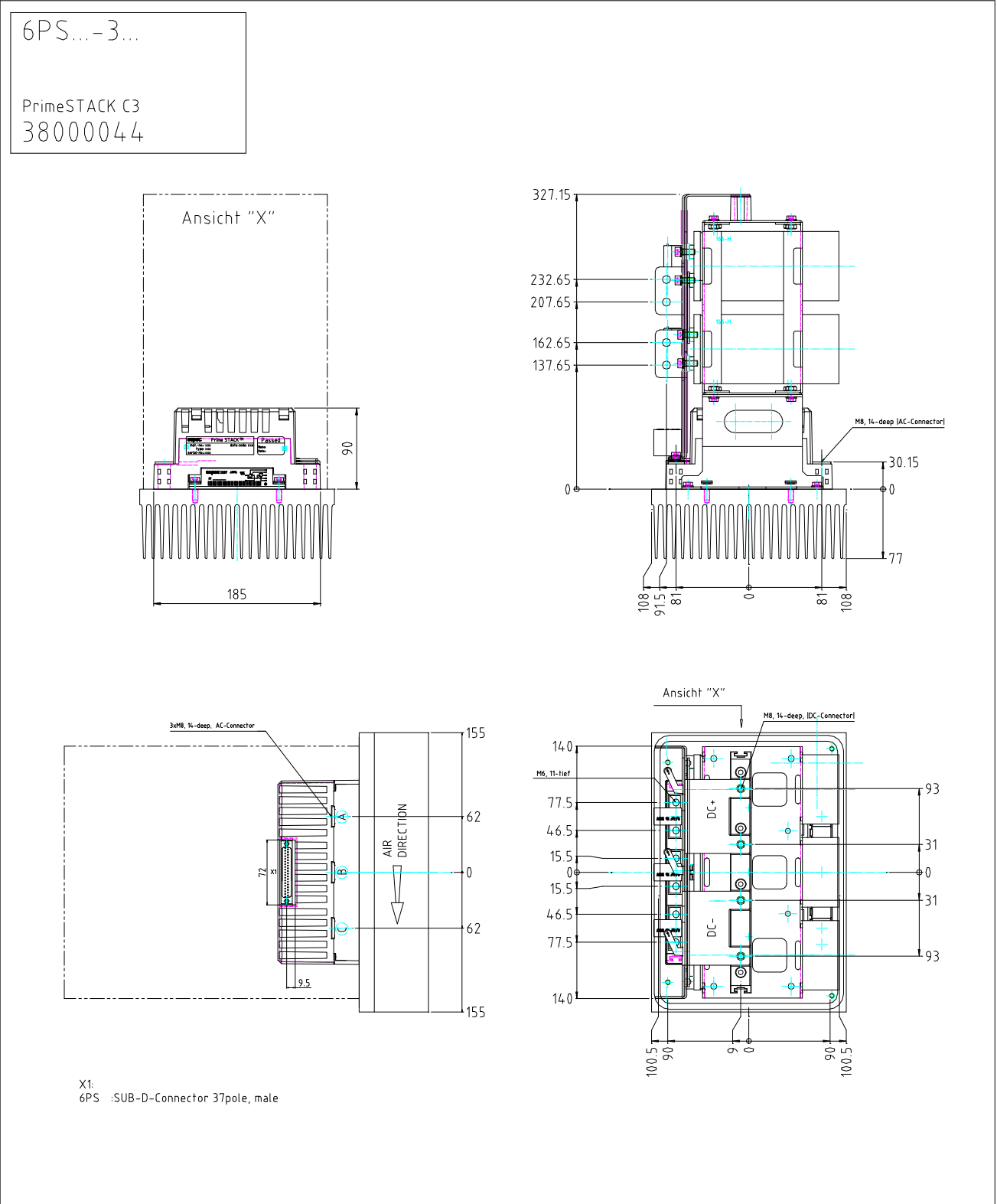
T<sub>cool medium</sub> = 40°C



prepared by: Hoelbe Oliver	date of publication: 2006-4-3
approved by: Jürgen Schiele	revision: 1.0

**Zieldaten**  
**target data**

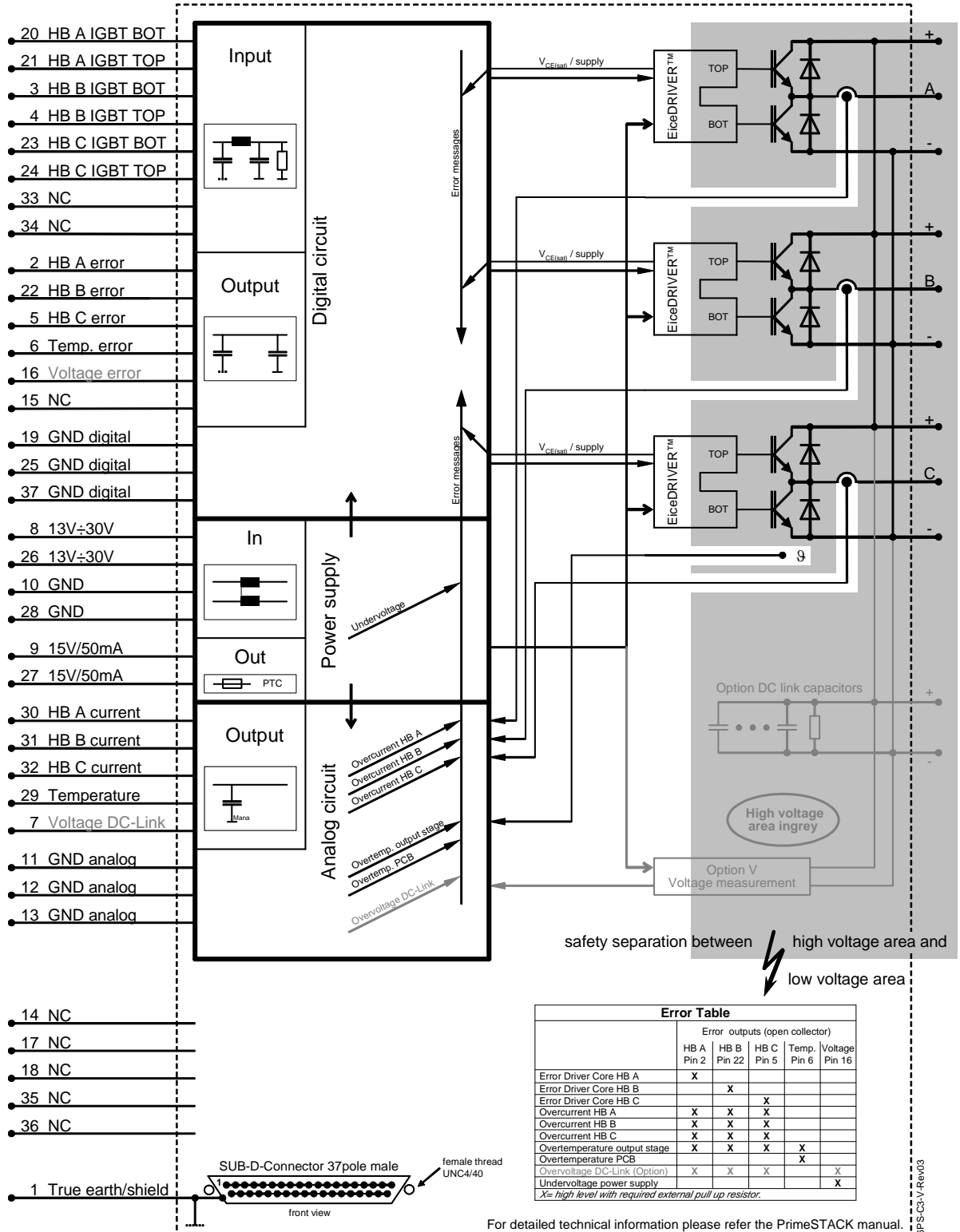
**Mechanical drawing**



prepared by: Hoelbe Oliver	date of publication: 2006-4-3
approved by: Jürgen Schiele	revision: 1.0

**Zieldaten**  
target data

**Circuit diagram**



**Error Table**

	Error outputs (open collector)				
	HB A Pin 2	HB B Pin 22	HB C Pin 5	Temp. Pin 6	Voltage Pin 16
Error Driver Core HB A	X				
Error Driver Core HB B		X			
Error Driver Core HB C			X		
Overcurrent HB A	X	X	X		
Overcurrent HB B	X	X	X		
Overcurrent HB C	X	X	X		
Overtemperature output stage	X	X	X	X	
Overtemperature PCB				X	
Undervoltage DC-Link (Option)	X	X	X		X
Undervoltage power supply					X

X = high level with required external pull up resistor.

For detailed technical information please refer the PrimeSTACK manual.

6PS-C3-V-Rev03

**Zieldaten  
target data**

**Nutzungsbedingungen**

Die in diesem Produktdatenblatt enthaltenen Daten sind ausschließlich für technisch geschultes Fachpersonal bestimmt. Die Beurteilung der Eignung dieses Produktes für Ihre Anwendung sowie die Beurteilung der Vollständigkeit der bereitgestellten Produktdaten für diese Anwendung obliegt Ihnen bzw. Ihren technischen Abteilungen.

In diesem Produktdatenblatt werden diejenigen Merkmale beschrieben, für die wir eine liefervertragliche Gewährleistung übernehmen. Eine solche Gewährleistung richtet sich ausschließlich nach Maßgabe der im jeweiligen Liefervertrag enthaltenen Bestimmungen. Garantien jeglicher Art werden für das Produkt und dessen Eigenschaften keinesfalls übernommen.

Sollten Sie von uns Produktinformationen benötigen, die über den Inhalt dieses Produktdatenblatts hinausgehen und insbesondere eine spezifische Verwendung und den Einsatz dieses Produktes betreffen, setzen Sie sich bitte mit dem für Sie zuständigen Vertriebsbüro in Verbindung (siehe [www.eupec.com](http://www.eupec.com), Vertrieb&Kontakt). Für Interessenten halten wir Application Notes bereit.

Aufgrund der technischen Anforderungen könnte unser Produkt gesundheitsgefährdende Substanzen enthalten. Bei Rückfragen zu den in diesem Produkt jeweils enthaltenen Substanzen setzen Sie sich bitte ebenfalls mit dem für Sie zuständigen Vertriebsbüro in Verbindung.

Sollten Sie beabsichtigen, das Produkt in Anwendungen der Luftfahrt, in gesundheits- oder lebensgefährdenden oder lebenserhaltenden Anwendungsbereichen einzusetzen, bitten wir um Mitteilung. Wir weisen darauf hin, dass wir für diese Fälle

- die gemeinsame Durchführung eines Risiko- und Qualitätsassessments;
- den Abschluss von speziellen Qualitätssicherungsvereinbarungen;
- die gemeinsame Einführung von Maßnahmen zu einer laufenden Produktbeobachtung dringend empfehlen und gegebenenfalls die Belieferung von der Umsetzung solcher Maßnahmen abhängig machen.

Soweit erforderlich, bitten wir Sie, entsprechende Hinweise an Ihre Kunden zu geben.

Inhaltliche Änderungen dieses Produktdatenblatts bleiben vorbehalten.

**Terms & Conditions of usage**

The data contained in this product data sheet is exclusively intended for technically trained staff. You and your technical departments will have to evaluate the suitability of the product for the intended application and the completeness of the product data with respect to such application.

This product data sheet is describing the characteristics of this product for which a warranty is granted. Any such warranty is granted exclusively pursuant the terms and conditions of the supply agreement. There will be no guarantee of any kind for the product and its characteristics.

Should you require product information in excess of the data given in this product data sheet or which concerns the specific application of our product, please contact the sales office, which is responsible for you (see [www.eupec.com](http://www.eupec.com), sales&contact). For those that are specifically interested we may provide application notes.

Due to technical requirements our product may contain dangerous substances. For information on the types in question please contact the sales office, which is responsible for you.

Should you intend to use the Product in aviation applications, in health or live endangering or life support applications, please notify. Please note, that for any such applications we urgently recommend

- to perform joint Risk and Quality Assessments;
- the conclusion of Quality Agreements;
- to establish joint measures of an ongoing product survey, and that we may make delivery depended on the realization of any such measures.

If and to the extent necessary, please forward equivalent notices to your customers.

Changes of this product data sheet are reserved.

prepared by: Hoelbe Oliver	date of publication: 2006-4-3
approved by: Jürgen Schiele	revision: 1.0

**Sicherheitshinweise**

Bevor Sie mit der Installation und dem Betrieb der Baugruppe beginnen, lesen Sie bitte sorgfältig alle Sicherheitshinweise, Warnungen und beachten Sie die angebrachten Warnschilder. Vergewissern Sie sich, dass alle Warnschilder in leserlichem Zustand verbleiben und fehlende oder beschädigte Schilder ersetzt werden.

**Safety Instructions**

Prior to installation and operation, all safety notices and warnings and all warning signs attached to the equipment have to be carefully read. Make sure that all warning signs remain in a legible condition and that missing or damaged signs are replaced. To installation and operation, all safety notices and warnings and all warning signs attached to the equipment have to be carefully read. Make sure that all warning signs remain in a legible condition and that missing or damaged signs are replaced.

prepared by: Hoelbe Oliver	date of publication: 2006-4-3
approved by: Jürgen Schiele	revision: 1.0